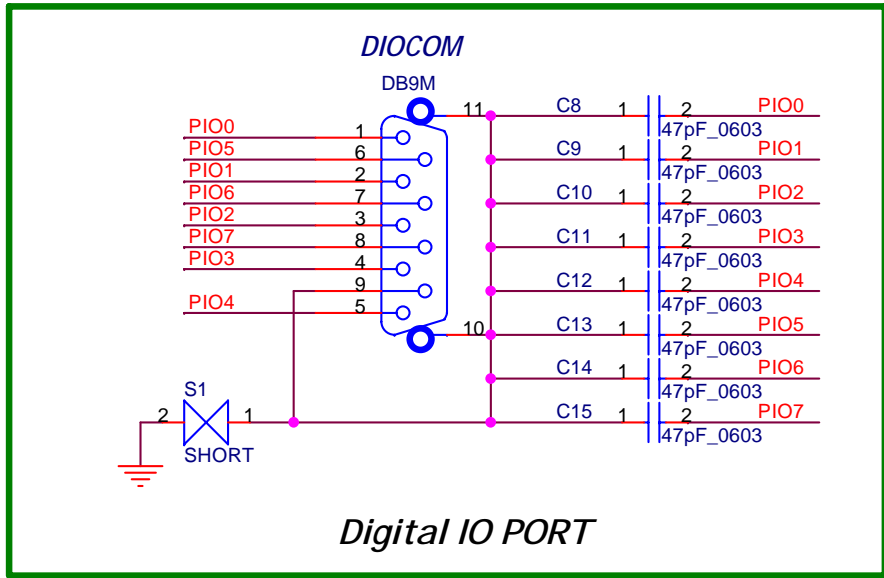
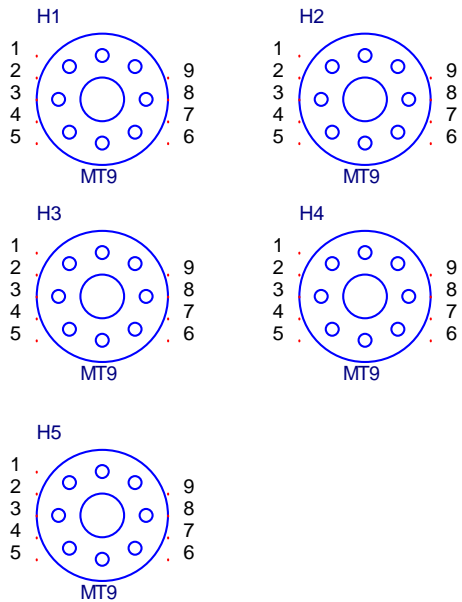
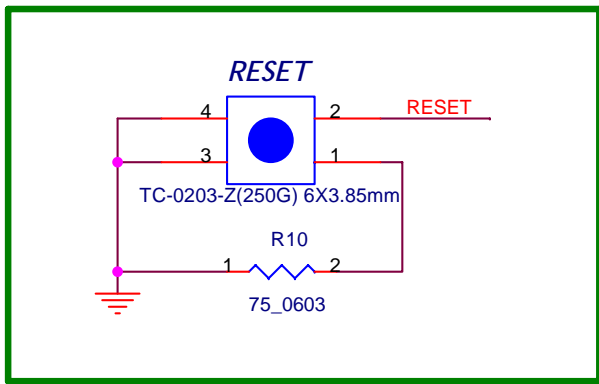
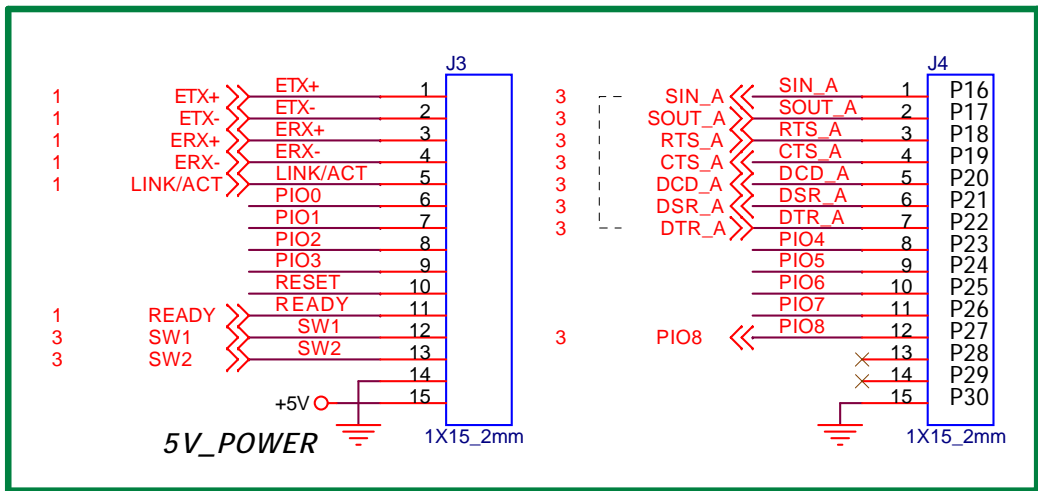


<b>Artila Electronics Co., Ltd.</b>		
Title <b>Power Supply &amp; LEDs</b>		
Size A	Document Number <b>Aport 211</b>	Rev 01
Date:	Friday, June 09, 2006	Sheet 1 of 3



**Artila Electronics Co., Ltd.**

Title

**Digital IO PORT & Connector**

Size

Document Number

**Aport 211**

Rev

02

Date: Friday, June 09, 2006

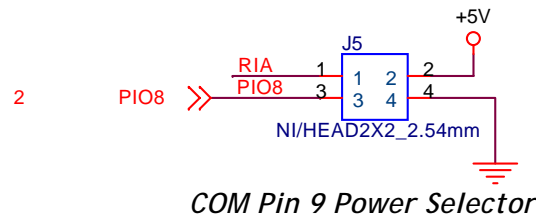
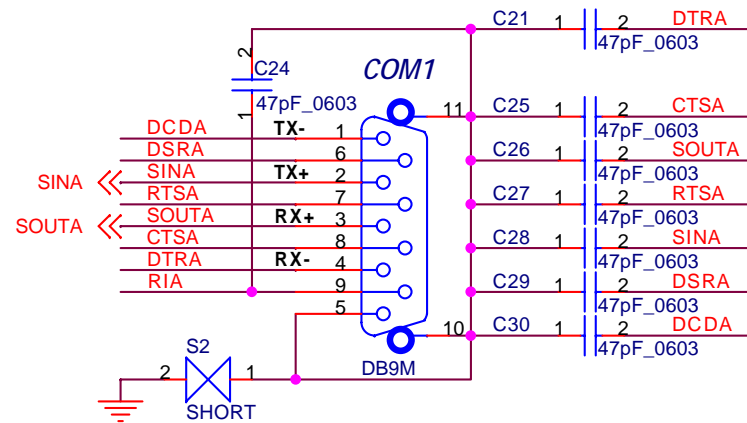
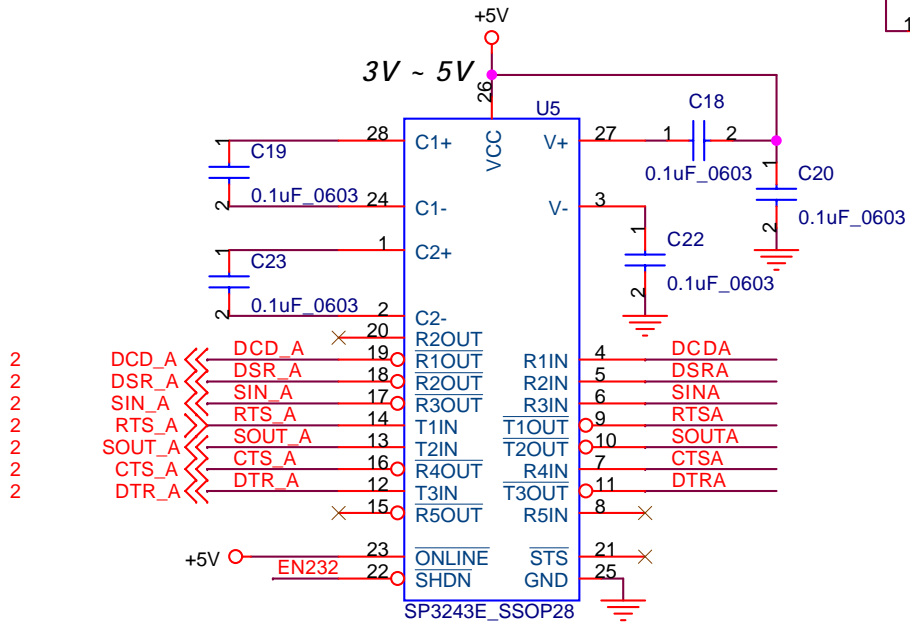
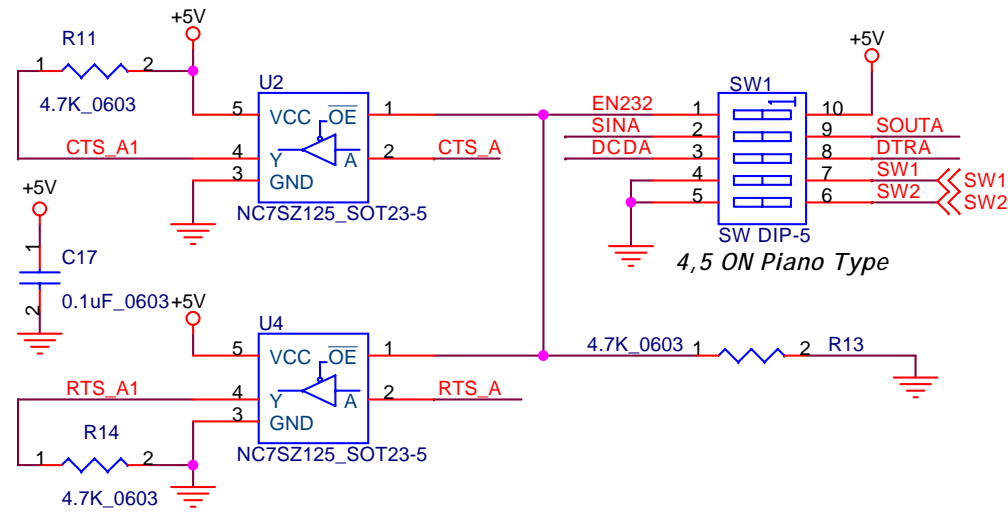
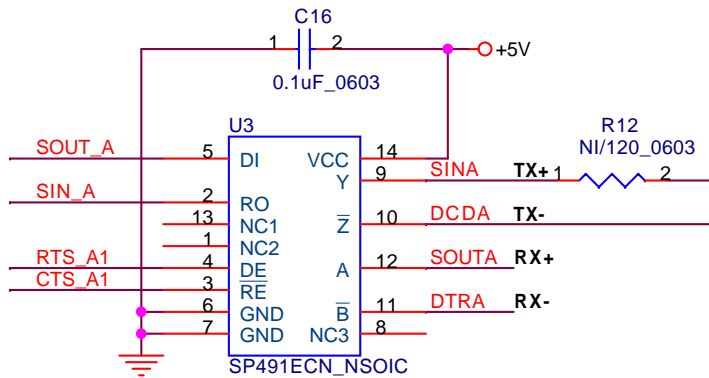
Sheet 2 of 3

RS232/485/422 Selection

1 ON 2,3 OFF : RS-232

1 OFF 2,3 ON : RS-485

1,2,3 OFF : RS-422



Artila Electronics Co., Ltd.

Title

COM\_A RS-232/422/485

Size Document Number

Aport 211

Rev 02

Date: Friday, June 09, 2006

Sheet 3 of 3